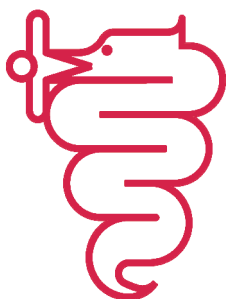


# GIULIA



**BEZZERA**

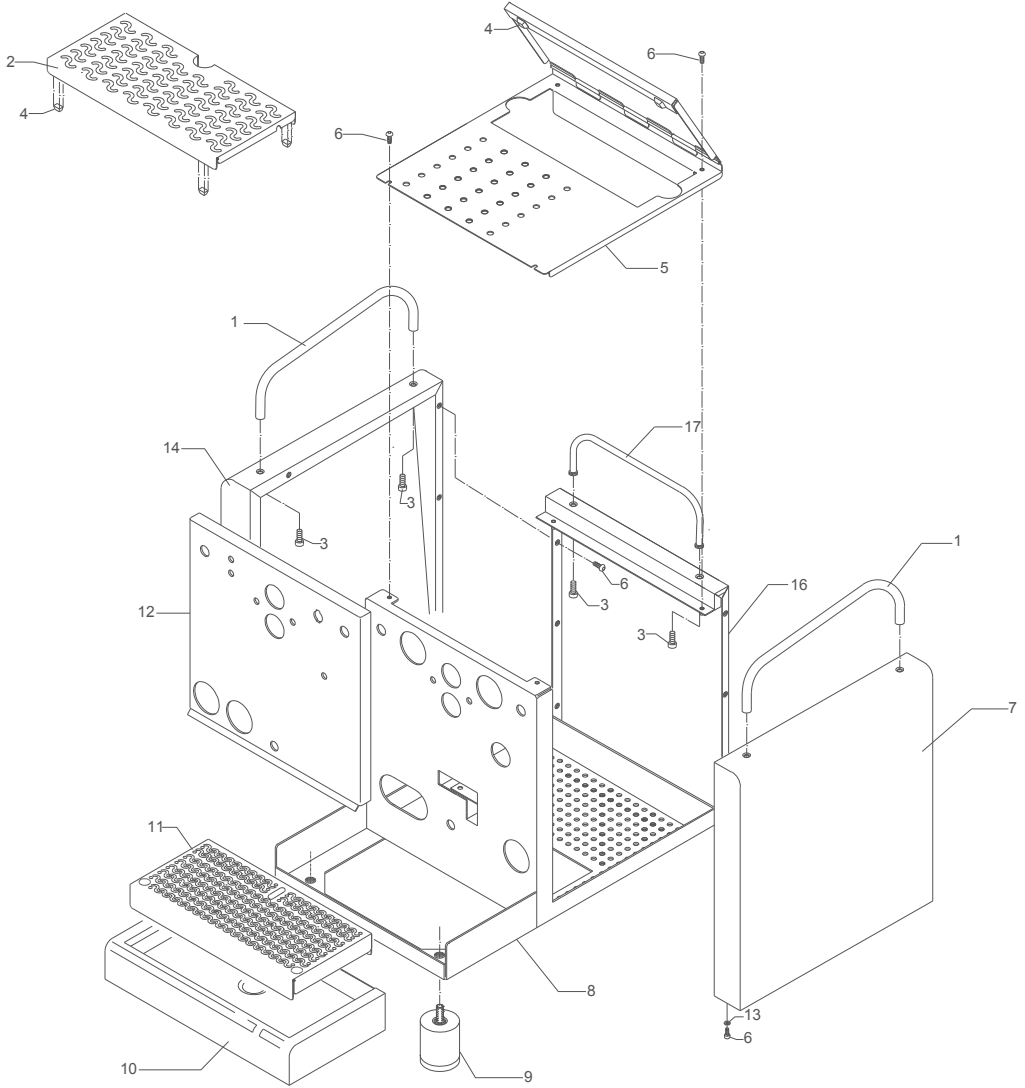
Dal 1901

**COD. 9942048.04**

**REV.00**



**TABLE 1**  
**Mod. S**







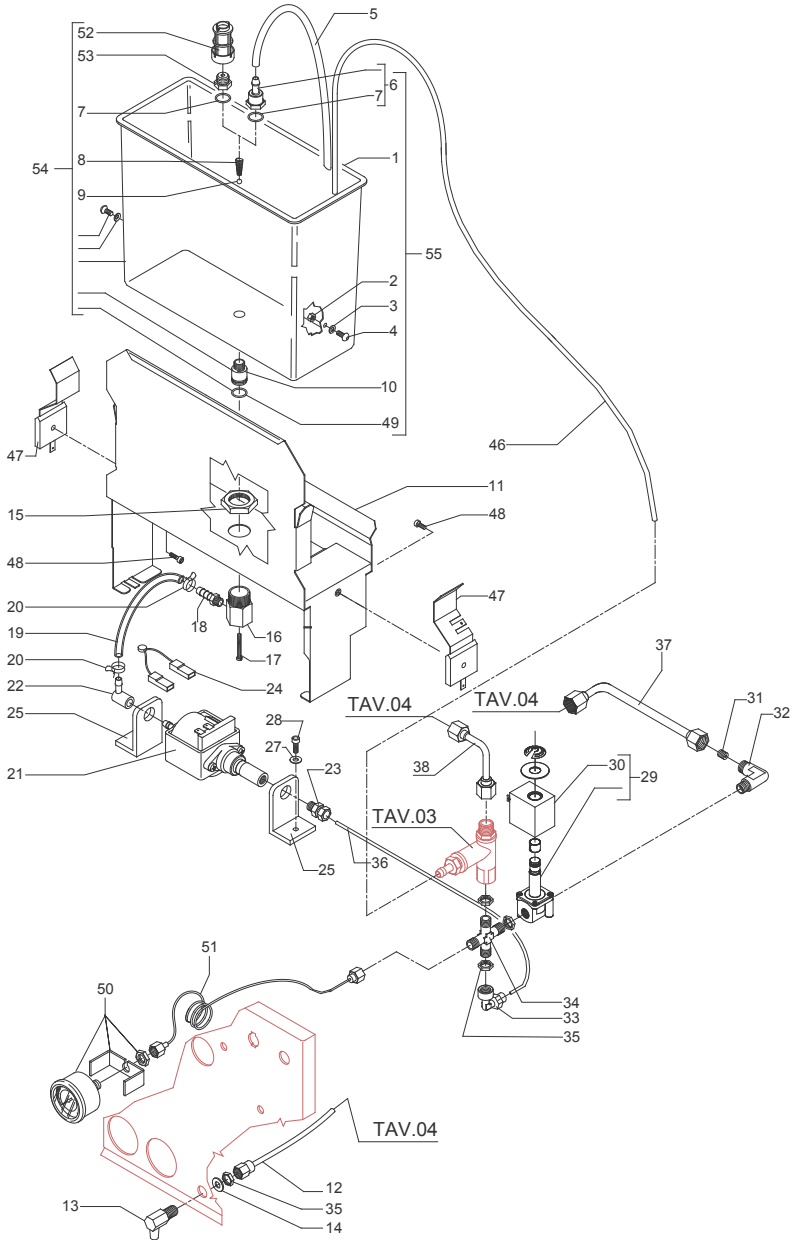
	<b>POS</b>	<b>CODE</b>	<b>DESCRIPTION</b>
<b>TABLE 2 Mod. S</b>	1	7373006.01	TANK
	2	7812601	NUT M4 STAINLESS STEEL
	3	7374004	WASHER D4 NYLON
	4	7819908	SCREW TTEI M4X8
	5	5194540	HOSE 8X5 L=300 SILICONE
	6	5224409	RUBBER-HOLDER D7,5
	7	7496073	OR GASKET 115 EP856
	8	5471521.01	COUPLING SPRING
	9	5471509	BALL 7/32" AISI 304
	10	5224617	GASKET-HOLDER D14.5 X 25 OT
	11	5963009.03	TANK SUPPORT
	12	5194559LL	SURPRESSION VALVE HOSE
	13	5283018CM	DRAIN FITTING FOR SURPRESSION VALVE 1/8"G CHROMED
	14	7815001	WASHER D10 UNI 6592 A2
	15	5221830	NUT M20 H5 OT
	16	5225228	FITTING M20 H28.5 OT
	17	7826206	SCREW TCI M3X30 UNI 6107 OT
	18	5225246	FITTING 1/8"G CONIC ES.10 H33 OT
	19	5194529	CRISTAL HOSE D6 X 9 L=150MM
	20	7611512	CLAMP
	21	7731018	VIBRATION PUMP EX5 100V C/OR
	21	7731019	VIBRATION PUMP EX5 120V WITH OR
	21	7731022	VIBRATION PUMP EX5 220V 60HZ WITH OR
	21	7731020	VIBRATION PUMP EX5 230V WITH OR
	21	7731021	VIBRATION PUMP EX5 240V WITH OR
	22	7303006	RUBBER-HOLDER FITTING
	23	7303036TR	STRAIGHT FITTING 1/8"G OT
	24	7634816	THERMIC SAFETY DEVICE 100°C AUTOMATIC
	25	7470602	VIBRATION-DAMPING
	27	7805009	PLAIN WASHER D5 X 11 X 1
	28	7816004	SCREW TCEI M4 X 16
	29	7701111	SOLENOID VALVE 2 WAY 115V PARKER
	29	7702310	SOLENOID VALVE 2 WAY 230V PARKER
	29	7702409	SOLENOID VALVE 2 WAY 240V PARKER
	30	7630327	SOLENOID VALVE COIL 110V PARKER
	30	7630328	SOLENOID VALVE COIL 220/230V PARKER
	30	7630329	SOLENOID VALVE COIL 240V PARKER
	31	5223003	JET M6 X 6 HOLE D0.8 OT
	32	5301504TR	UNION ELBOW 1/8"G X M12
	33	7303034TR	UNION ELBOW 1/8"G OT
	34	7304001TR	UNION 1/8"G
	35	5221844	NUT 1/8"G H3
	36	5194590	PUMP-SOLENOID VALVE HOSE
	37	5162237.01LL	BOILER LOAD HOSE
	38	5162236.01LL	SURPRESSION VALVE - HEAT EXCHANGER HOSE
	46	5194592	DRAIN HOSE SURPRESSION VALVE





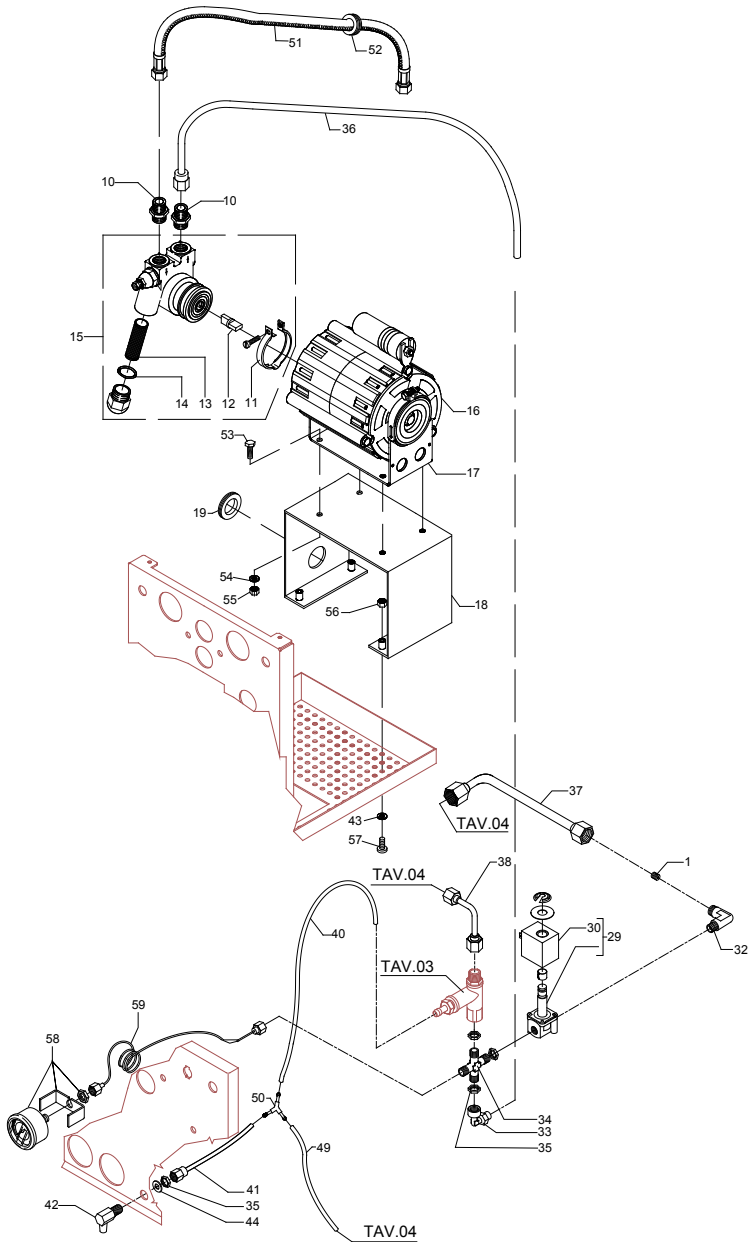


**TABLE 2**  
**Mod. S**



	<b>POS</b>	<b>CODE</b>	<b>DESCRIPTION</b>	
<b>TABLE 2A (up to 01.03.13) Mod. R</b>	1	5223003	JET M6 X 6 HOLE D0.8 OT	
	10	5302032	STRAIGHT FITTING 1/8"G X 3/8"NPT ES.22 H27 OT	
	11	7611508	PUMP CLAMP	
	12	7472401	PUMP JOINT	
	13	7374005	PUMP FILTER	
	14	7496048	OR GASKET FOR PUMP FILTER PROCON	
	15	7730506	PUMP 100 L/H PA104X 1-2GR	
	16	7741102	ELECTRIC MOTOR 110V 18MF	
	16	7742206	ELECTRIC MOTOR 220/240V 10MF	
	17	7479976	BRACKET MOTOR	
	18	5038420LL	MOTOR SUPPORT	
	19	7613001	FAIRLEAD P36 RUBBER	
	29	7701111	SOLENOID VALVE 2 WAY 115V PARKER	
	29	7702310	SOLENOID VALVE 2 WAY 230V PARKER	
	29	7702409	SOLENOID VALVE 2 WAY 240V PARKER	
	30	7630327	SOLENOID VALVE COIL 110V PARKER	
	30	7630328	SOLENOID VALVE COIL 220/230V PARKER	
	30	7630329	SOLENOID VALVE COIL 240V PARKER	
	32	5301504TR	UNION ELBOW 1/8"G X M12	
	33	7303034TR	UNION ELBOW 1/8"G OT	
	34	7304001TR	UNION 1/8"G	
	35	5221844	NUT 1/8"G H3	
	36	5194574.01LL	PUMP-SOLENOID VALVE HOSE	
	37	5162237.01LL	BOILER LOAD HOSE	
	38	5162236.01LL	SURPRESSION VALVE - HEAT EXCHANGER HOSE	
	40	5194566LL	SURPRESSION VALVE HOSE	
	41	5194559LL	SURPRESSION VALVE HOSE	
	42	5283018CM	DRAIN FITTING FOR SURPRESSION VALVE 1/8"G CHROMED	
	43	7809804	PLAIN WASHER D4	
	44	7815001	WASHER D10 UNI 6592 A2	
	49	5194571	HOSE D6X4X1 L=200 SILICONE	
	50	7303033	FITTING "Y"	
	51	7200514	FLEXIBLE HOSE 3/8"X1/8" I=1500MM	
	52	7613004	FAIRLEAD	
	53	7816422	SCREW TE M6X14 UNI 5739 OT	
	54	7804002	FAN WASHER D6 DIN 6798A	
	55	7802403	NUT M6 UNI 7473	
	56	7802402	NUT M4 UNI 7473	
	57	7816005	SCREW TCEI M4X20	
	58	7432523	PRESSURE GAUGE D40 16BAR	
	59	7400902	PRESSURE GAUGE CAPILLARY	

**TABLE 2A (up to 01.03.13)**  
**Mod. R**





**TABLE 2A (from 02.03.13)**  
**Mod. R**

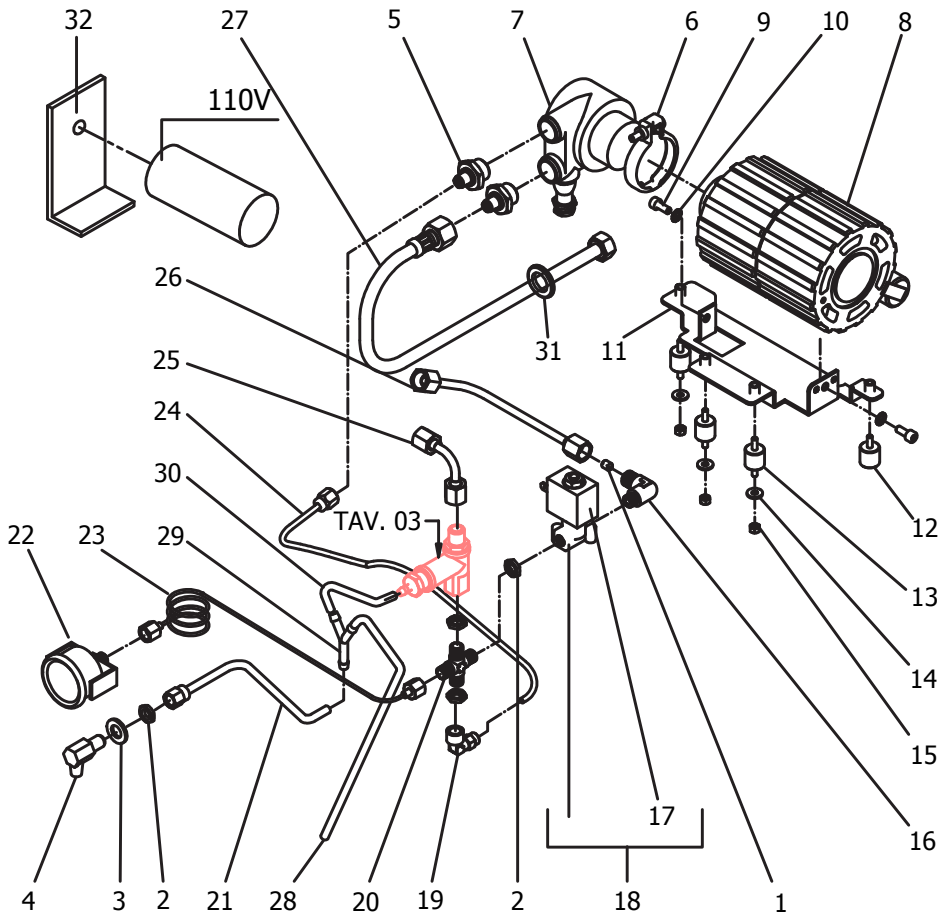




TABLE 3 (up to 30.10.12)

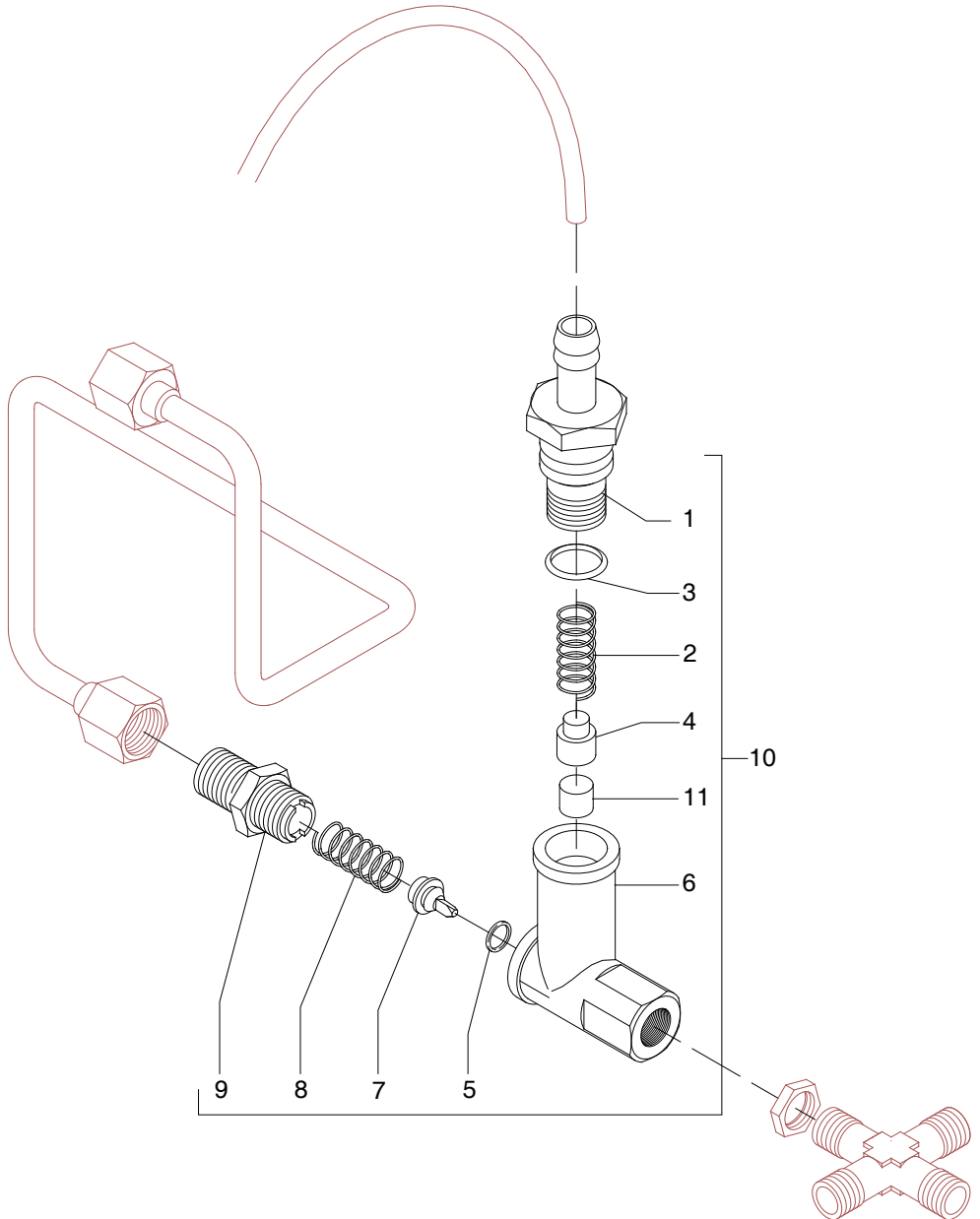
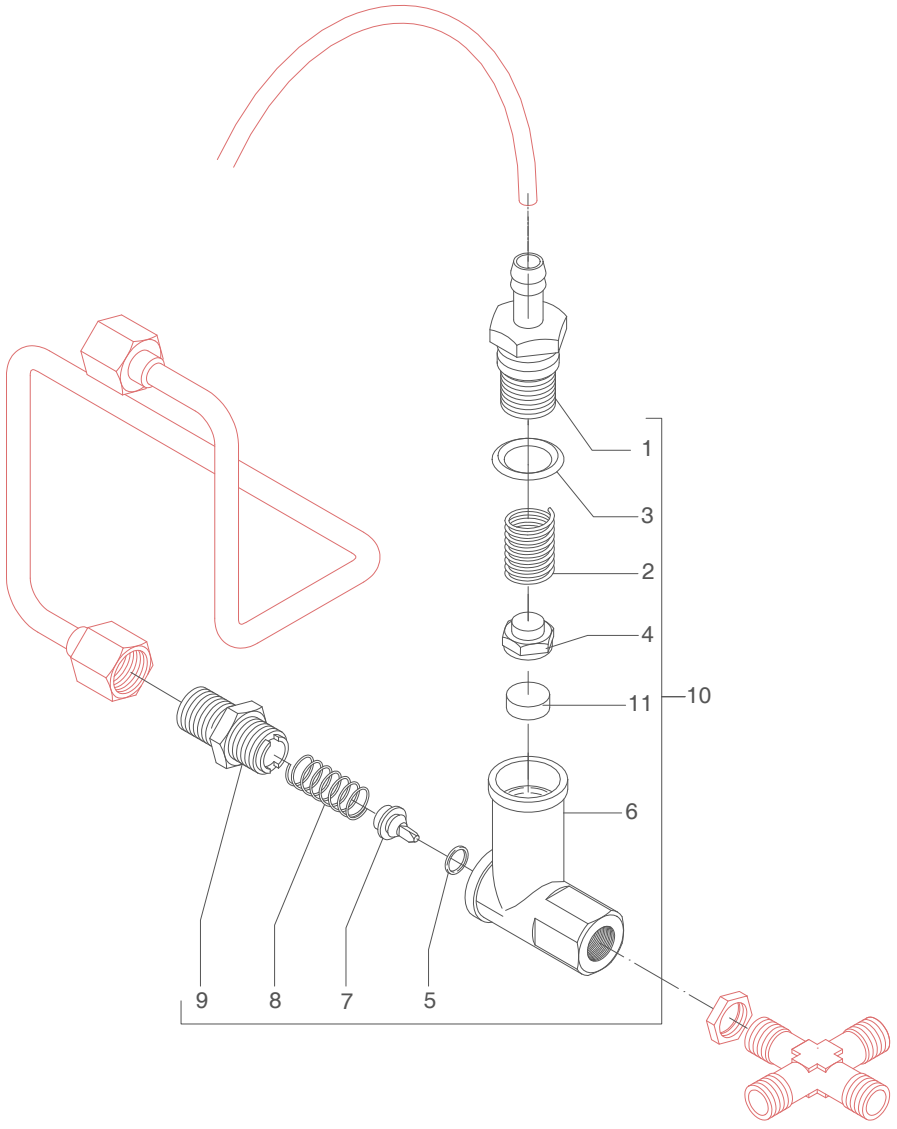






TABLE 3 (from 31.10.12)

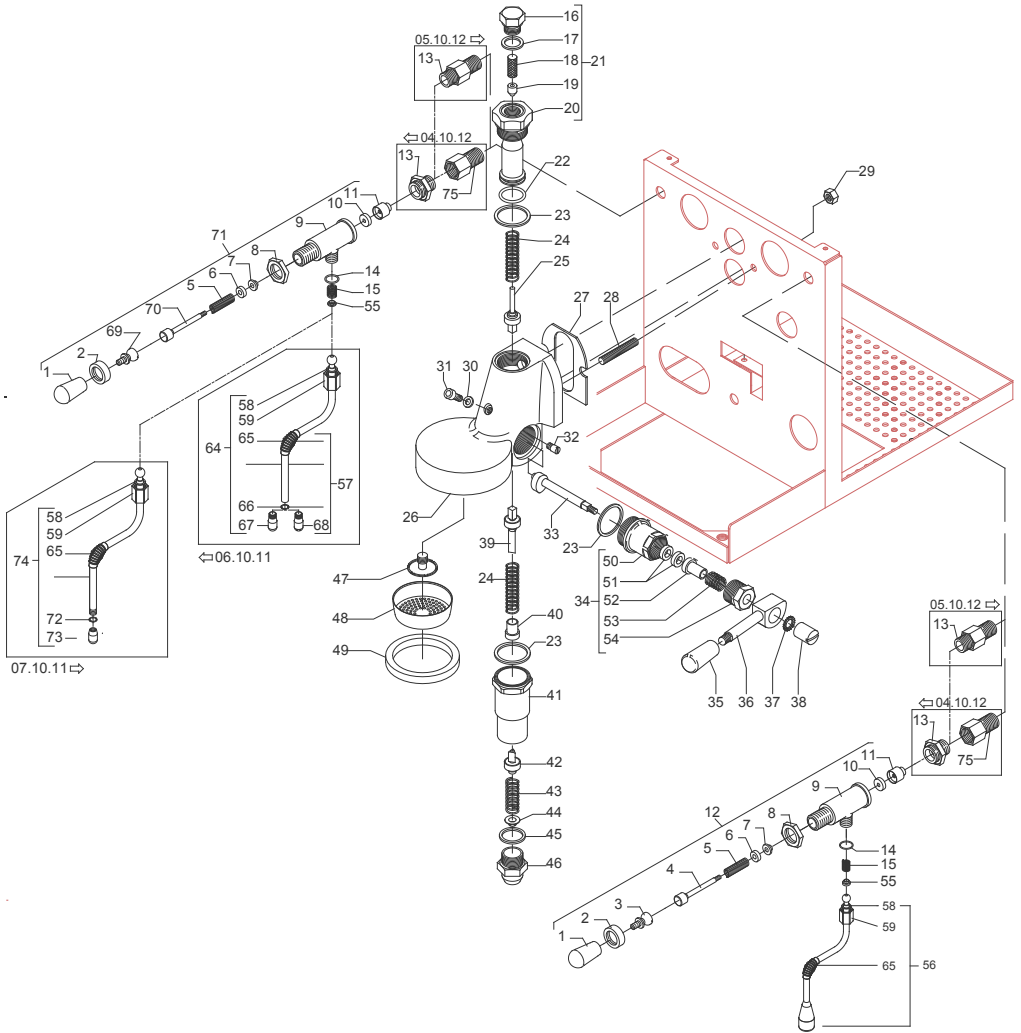






	<b>POS</b>	<b>CODE</b>	<b>DESCRIPTION</b>
<b>TABLE 5 (up to 28.01.14)</b>	1	7371511.01	LEVER KNOB
	2	5222823CM	RING NUT 3/8" G H17
	3	5225608	ARTICULATION M8 INOX
	4	5260203DL	SHAFT D12X47
	5	5471513	SPRING
	6	5261801	WASHER D11
	7	5494004	GASKET D12 X 6 PTFE GRAPHITIZED
	8	5221826CM	NUT 3/8" G ES.22X5
	9	5283047TW	TAP BODY OT
	10	5496042	GASKET D11X4X4 EPT 70 (C6)
	11	5224603TP	GASKET-HOLDER
	12	5964084AL	ASSEMBLY TAP
	13	5225410TP	FITTING M14XM13 H26 (up to 04.10.2012)
	13	5302079	FITTING M14XM13 (from 05.10.2012)
	14	7496072	OR GASKET 121
	15	5471532	SPRING
	16	7479952	UPPER ASSY PLUG
	17	7479953	GASKET TF 22X17X2
	18	7479954	INOX FILTER Ø8,5X22
	19	7479955	INJECTOR M6X0,75 FORO Ø0,7
	20	7479956	UPPER SLEEVE ASSY
	21	7479933	INJECTOR Ø0.7 UPPER SLEEVE ASSY
	22	7479934	GASKET OR 128 VITON
	23	7479935	GASKET TF Ø35X30X2
	24	7479936	DELIVERY VALVE SPRING
	25	7479937	DELIVERY VALVE ASSY
	26	7479940	DELIVERY GROUP BODY
	27	7493011	INSULATING
	28	5267013	TIE ROD M8 X 31 ASTM A193
	29	7812607	NUT M8 UNI 5587 ASTM A194
	30	7479938	GASKET TF Ø10X6X1
	31	7479939	SCREW TCE M6X8
	32	7479951	CAM STOP PIN
	33	7479950	CAM SHAFT
	34	7479949	CAM FLANGE ASSY
	35	7371511.01	LEVER KNOB
	36	7479931	DELIVERY LEVER
	37	7479947	WASHER Ø8
	38	7479948	CAP Ø15XM6
	39	7479946	ASSEMBLY VALVE
	40	7479942	SPRING GUIDE BUSHING
	41	7479957	LOWER SLEEVE ASSY
	42	7479943	ASSEMBLY RELIEF VALVE
	43	7479944	DRAIN SPRING
	44	7479945	JET-BREAKER BUSHING Ø15X6
45	7479960	GASKET TF D26x21x2	

TABLE 5 (up to 28.01.14)







	<b>POS</b>	<b>CODE</b>	<b>DESCRIPTION</b>
<b>TABLE 5 (from 29.01.14)</b>	1	7371511.01	LEVER KNOB
	2	5222823CM	RING NUT 3/8" G H17
	3	5225608	ARTICULATION M8 INOX
	4	5260203DL	SHAFT D12X47
	5	5471513	SPRING
	6	5261801	WASHER D11
	7	5494004	GASKET D12 X 6 PTFE GRAPHITIZED
	8	5221826CM	NUT 3/8" G ES.22X5
	9	5283055TW	TAP BODY OT FOR OR
	10	5496042	GASKET D11X4X4 EPT 70 (C6)
	11	5224603TP	GASKET-HOLDER
	12	5964084.01AL	ASSEMBLY TAP WITH OR
	13	5225417TP	FITTING M14XM13 WHIT OR
	14	7496072	OR GASKET 121
	15	5471532	SPRING
	16	7479952	UPPER ASSY PLUG
	17	7479953	GASKET TF 22X17X2
	18	7479954	INOX FILTER Ø8,5X22
	19	7479955	INJECTOR M6X0,75 FORO Ø0,7
	20	7479956	UPPER SLEEVE ASSY
	21	7479933	INJECTOR Ø0.7 UPPER SLEEVE ASSY
	22	7479934	GASKET OR 128 VITON
	23	7479935	GASKET TF Ø35X30X2
	24	7479936	DELIVERY VALVE SPRING
	25	7479937	DELIVERY VALVE ASSY
	26	7479940	DELIVERY GROUP BODY
	27	7493011	INSULATING
	28	5267013	TIE ROD M8 X 31 ASTM A193
	29	7812607	NUT M8 UNI 5587 ASTM A194
	30	7479938	GASKET TF Ø10X6X1
	31	7479939	SCREW TCE M6X8
	32	7479951	CAM STOP PIN
	33	7479950	CAM SHAFT
	34	7479949	CAM FLANGE ASSY
	35	7371511.01	LEVER KNOB
	36	7479931	DELIVERY LEVER
	37	7479947	WASHER Ø8
	38	7479948	CAP Ø15XM6
	39	7479946	ASSEMBLY VALVE
	40	7479942	SPRING GUIDE BUSHING
	41	7479957	LOWER SLEEVE ASSY
	42	7479943	ASSEMBLY RELIEF VALVE
	43	7479944	DRAIN SPRING
	44	7479945	JET-BREAKER BUSHING Ø15X6
	45	7479960	GASKET TF D26x21x2
	46	7479961	GROUP BOTTOM FITTING



TABLE 5 (from 29.01.14)

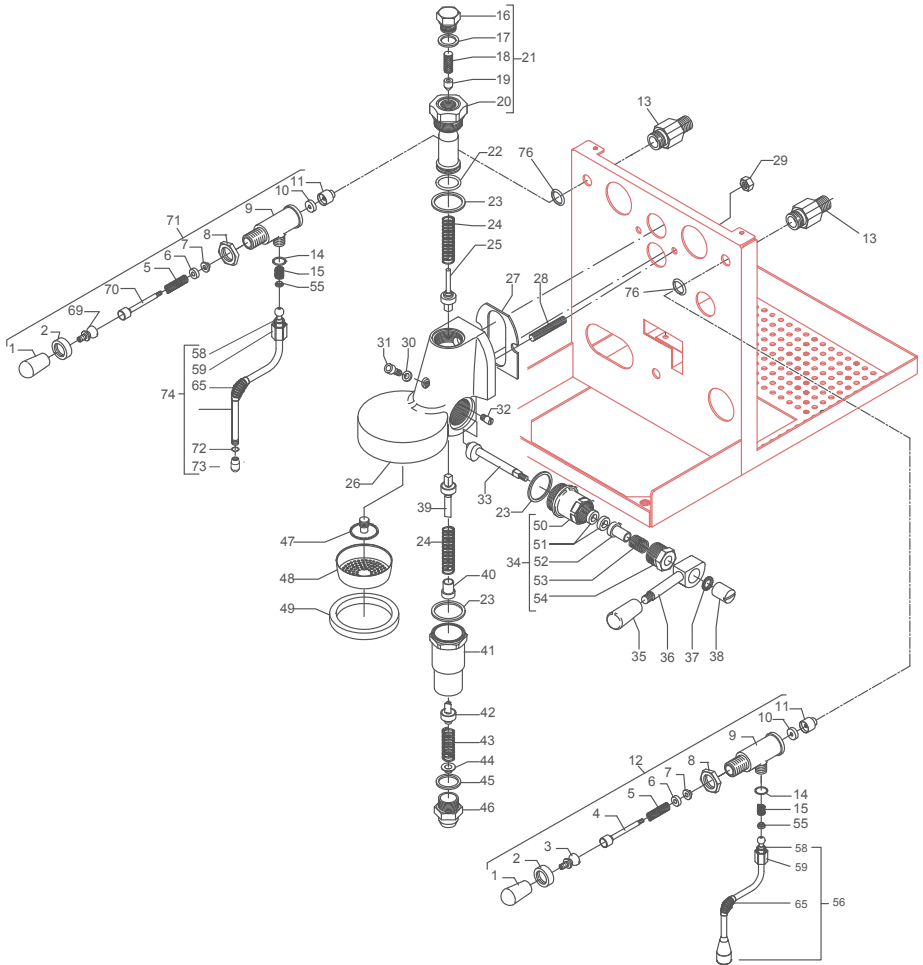




TABLE 5 (from 29.01.14)

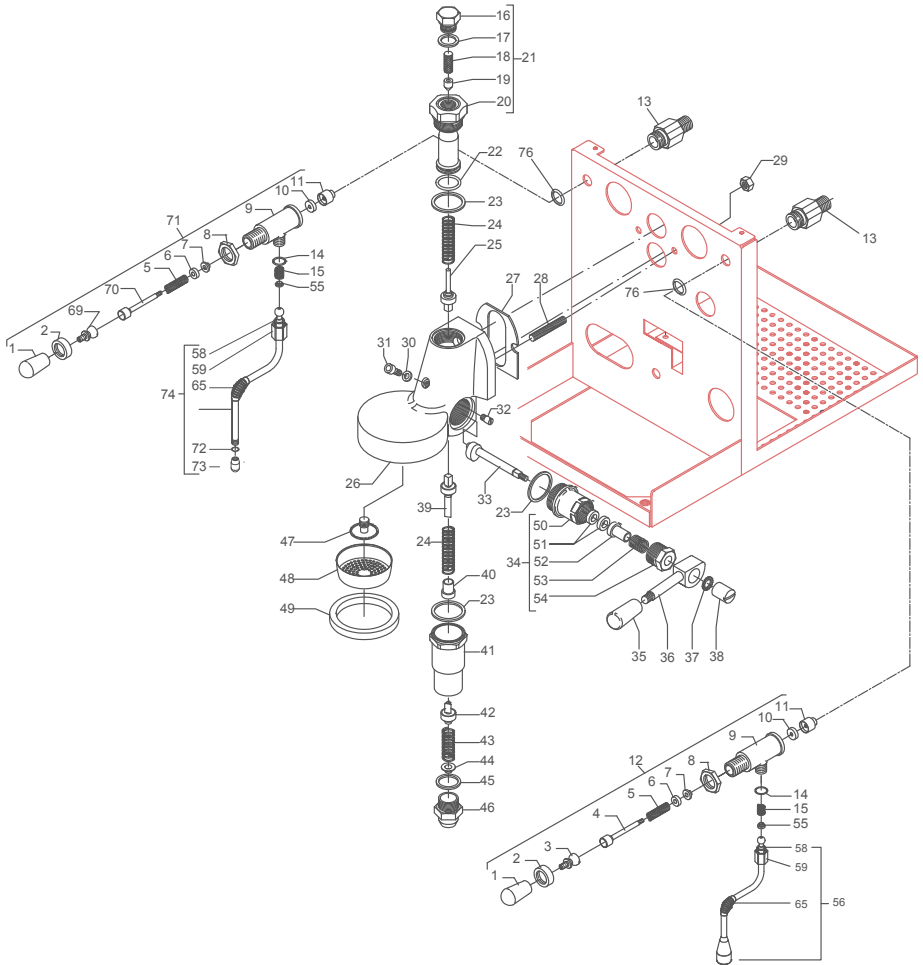




TABLE 6

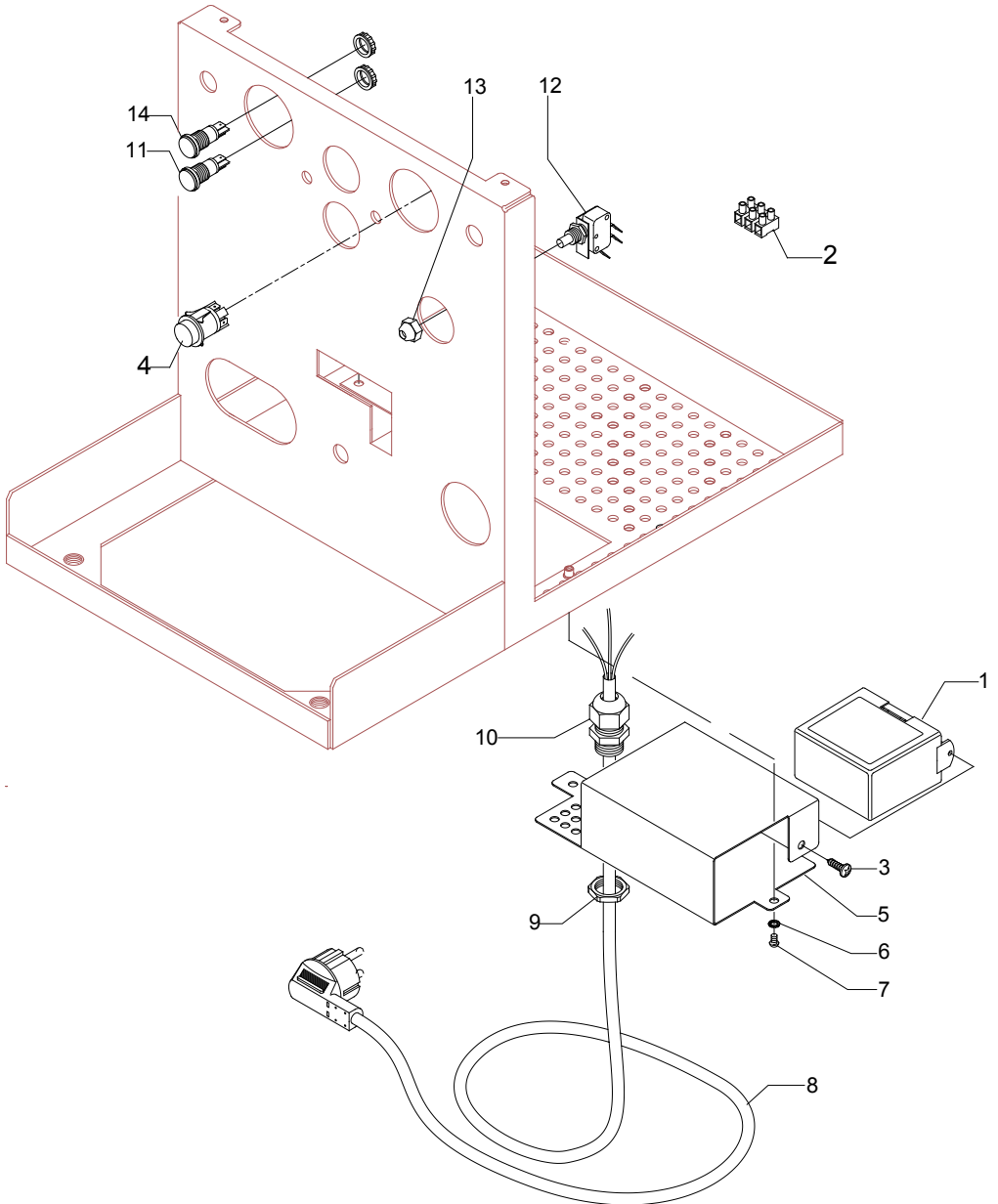




TABLE 7 (up to 02.12.12)

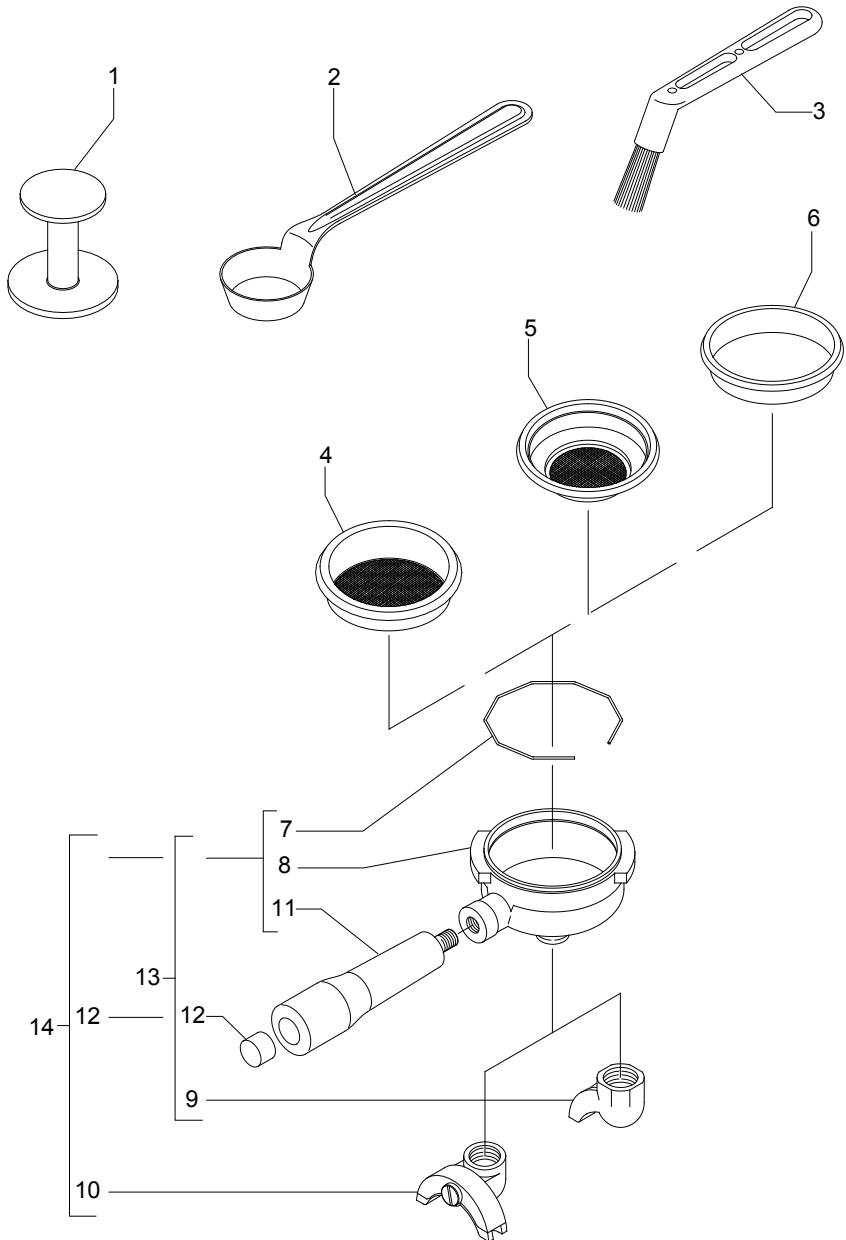
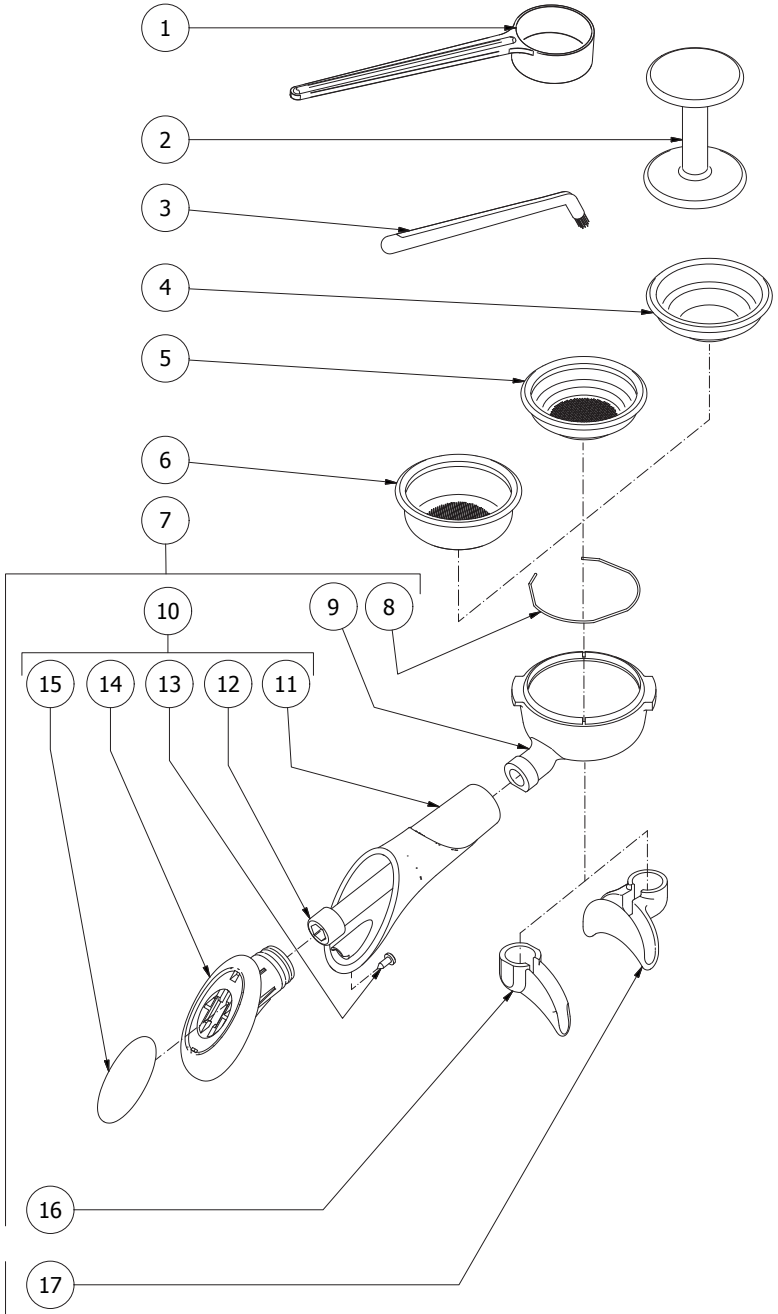






TABLE 7 (from 03.12.12)





**BEZZERA**

**Dal 1901**

G.BEZZERA

MACCHINE PER CAFFE' ESPRESSO

Via Luigi Bezzera,1

20088 Rosate - Milano - Italy

Tel. ++39 02 90848102 r.a. - Telefax ++39 02 90870287

Web: [www.g.bezzera.it](http://www.g.bezzera.it)

e-mail: [commerciale@bezzera.it](mailto:commerciale@bezzera.it)